

CAT5 LCD User Manual

KVM SWITCHES PACKING LIST

Type	Name	Num/Unit	Note
AS-71**TLD Series Products	CAT5 KVM Control Platform	1	17 inches LCD screen, keyboard and mouse control platform integrated CAT5 KVM switch with multiple ports (1/4/8/16ports).
AS-91**TLD Series Products	CAT5 KVM Control Platform	1	19 inches LCD screen, keyboard and mouse control platform integrated CAT5 KVM switch with multiple ports (1/4/8/16ports).
AC Power	Power Cable	1	AC power connecting cable
KVM Control User Manual	User Manual	1/2	LCD KVM Manual + QIG

Please check the lists carefully and contact with your dealer if you have some problems.
Please read the manual carefully before installation.

Content

OVERVIEW.....	3
PRODUCT TYPE.....	3
FEATURES.....	4
INTRODUCTION.....	5
FRONT VIEW.....	5
REAR VIEW.....	6
KVM CONTROL PLATFORM POWER WIRE.....	8
DIMENSION.....	9
CONNECTION OF KVM SIGNAL WIRE.....	10
SPECIFICATION.....	10
OPERATION.....	11
Before Use.....	11
During Use.....	11
Connection.....	12
After Use.....	12
Hot Plug.....	12
Power On/Off and Reboot.....	12
Structure&Usage.....	13
Assembling & Disassembling.....	15
STANDARD RACK INSTALLATION.....	16
INTERFACE SELECTION.....	17
HOTKEY.....	17

OVERVIEW

CAT5 KVM control platform is one witch integrate a multiple ports KVM switch into 1U height. It controls multiple computers with one platform (keyboard, mouse and monitor).

It is easy and quick to install. Just connect the wire to the correct port without software configuration. So there is no difficulty in installation and incompatibility.

KVM switch provides two methods to control the computers connected to it:

1. By buttons on the platform.
2. By OSD operation.

In addition, it provides powerful automatic scanning function to scan and monitor all computers connected to it.

Using CAT5 KVM control platform is a best choice to save time and money. By using one CAT5 KVM platform to manage all the computers connected to it, user can save money for keyboard, mouse and monitor for each computer and their space.

PRODUCT TYPE

Type	OSD Function	Note
AS-71**TLD	Yes	17 inches LCD screen, keyboard, mouse and 1/4/8/16 ports USB KVM. And Body parts can be easily demolished
AS-91**TLD	Yes	19 inches LCD screen, keyboard, mouse and 1/4/8/16 ports USB KVM .And Body parts can be easily demolished

FEATURES

Control Platform

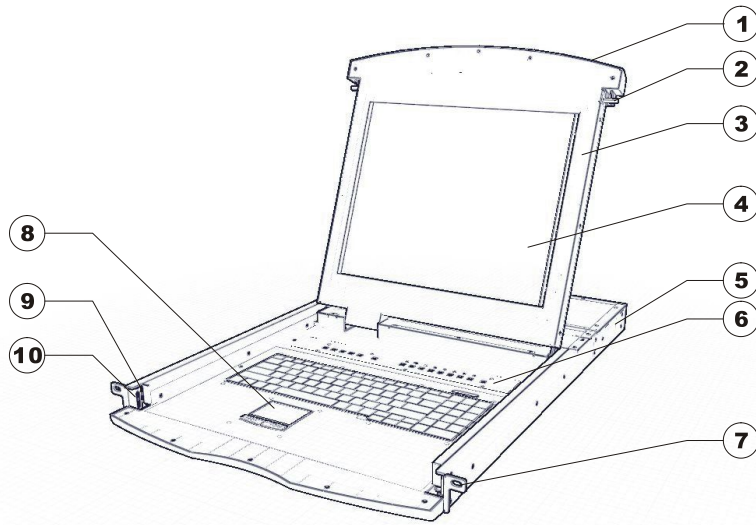
- ◆ Control platform with LCD, keyboard, mouse and multiple ports CAT5 KVM switch.
- ◆ 1U height, suitable for 19" standard cabinet installation and metal structure.
- ◆ 17/19" LCD screen with high brightness, high clear and high resolution.
- ◆ With dual rail structure, LCD screen can be pulled out separately.
- ◆ Control platform can be totally pulled out from the cabinet and the LCD screen can be turned on to 120 degrees.
- ◆ Ultra thin keyboard with keypad.
- ◆ Mouse touch board with two function button.
- ◆ Front panel with lock to prevent damage by accident.
- ◆ Extra Power adapter.
- ◆ Automatic power on/off.
- ◆ An easy to use OSD menu.

Switch

- ◆ One control platform can control 4/8/16 computers by direct connection.
- ◆ Be compatible with USB standard interface.
- ◆ Support VGA, SVGA, XGA video input.
- ◆ Accord with DDC, DDC2, DDC2B standard and VESA standard.
- ◆ Support maximum resolution of 1920 * 1080
- ◆ Support multiple operating systems: WIN95/98/98SE/ME/200/XP/7/ NT, UNIX, LINUX.

INTRODUCTION

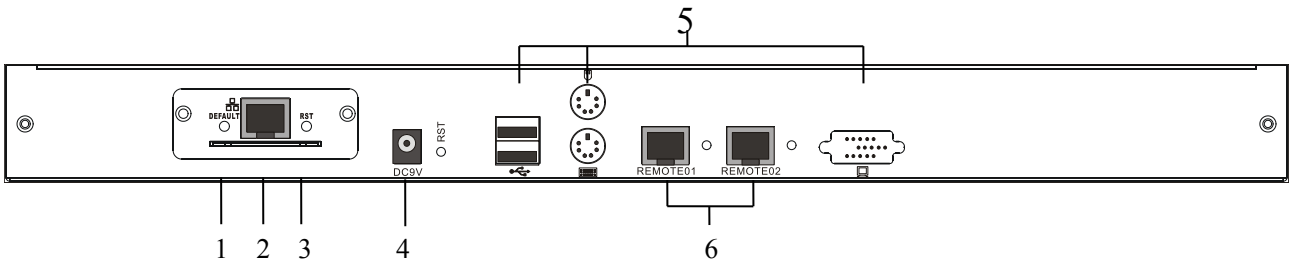
FRONT VIEW



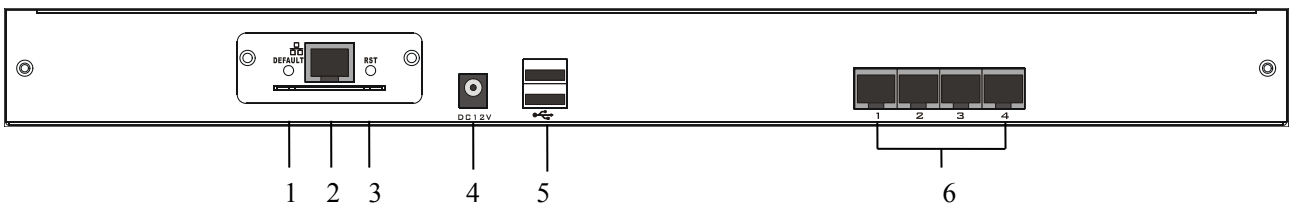
1. Handle
2. Lock
3. Front panel
4. LCD screen
5. Rear hang ear channel
6. LCD OSD control key
7. Front hang ear
8. Mouse touch board
9. Guide
10. Lock hole

REAR VIEW

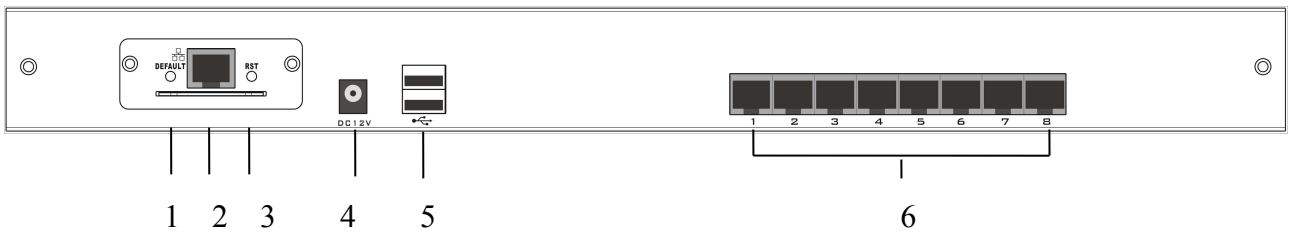
AS-7100TLD/AS-9100TLD (with IP module)



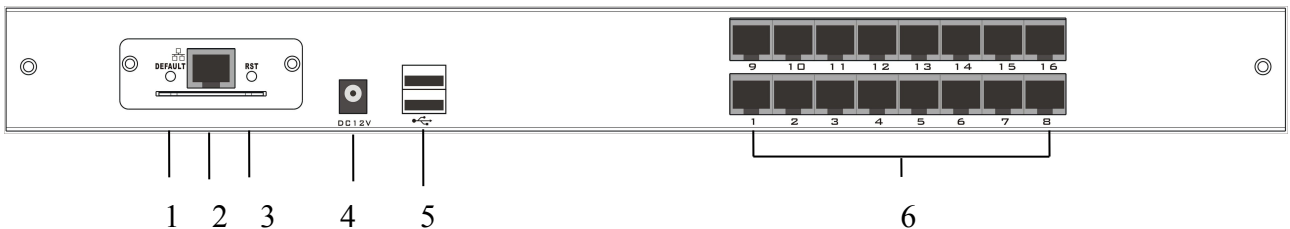
AS-7104TLD/AS-9104TLD (with IP module)



AS-7108TLD/AS-9108TLD (with IP module)



AS-7116TLD/AS-9116TLD (with IP module)



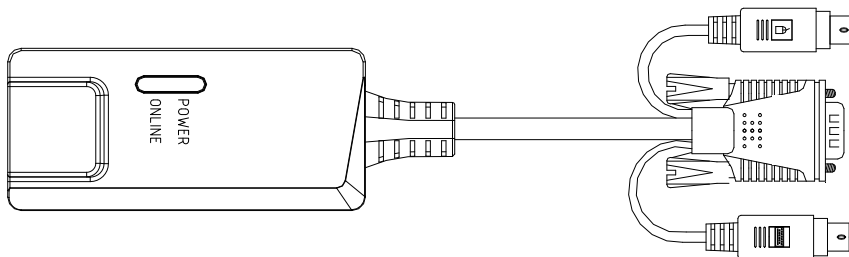
1. IP Module Restore to Default

- ◆ Plug needle or ballpoint pen into the hole to restore the IP module to default setting.

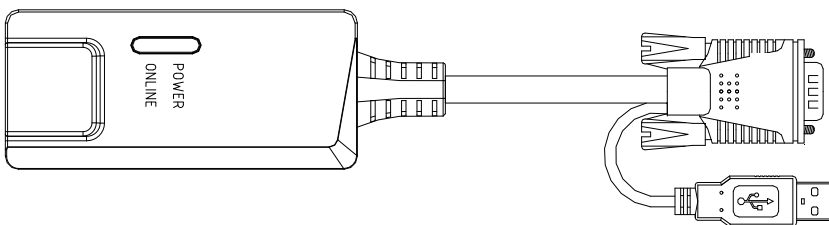
2. RJ45 Port
 - ◆ CAT UTP can be plugged into it to be connected to the LAN including the controlling computer.
3. IP Module Reset
 - ◆ If the IP module has no responding, plug needle or ballpoint pen into the hole to reset it.
4. Power Jack
 - ◆ The DC 9V~12V power supply cable plugs into this jack.
5. Console Port
 - ◆ Ports to plug in your USB/PS2 keyboard, mouse and monitor are found here.
6. Dongle Port
 - ◆ Port to connect dongles.

Note: For operation of IP Module, please refer to the related user manuals.

DONGLE VIEW



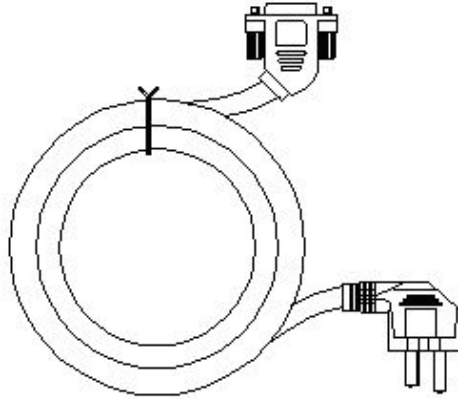
KT-250 (PS/2 x 2)



KT-150 (USB)

KVM CONTROL PLATFORM POWER WIRE

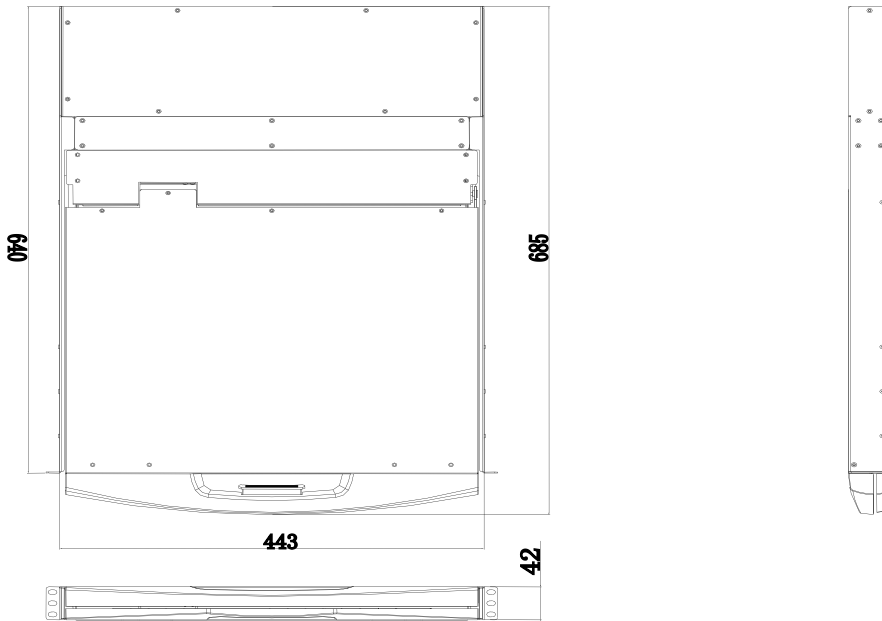
Wire Type	Note	Voltage Range	Machine Type
AC Power Wire	3 Plugs of National Standard	100~240V	All



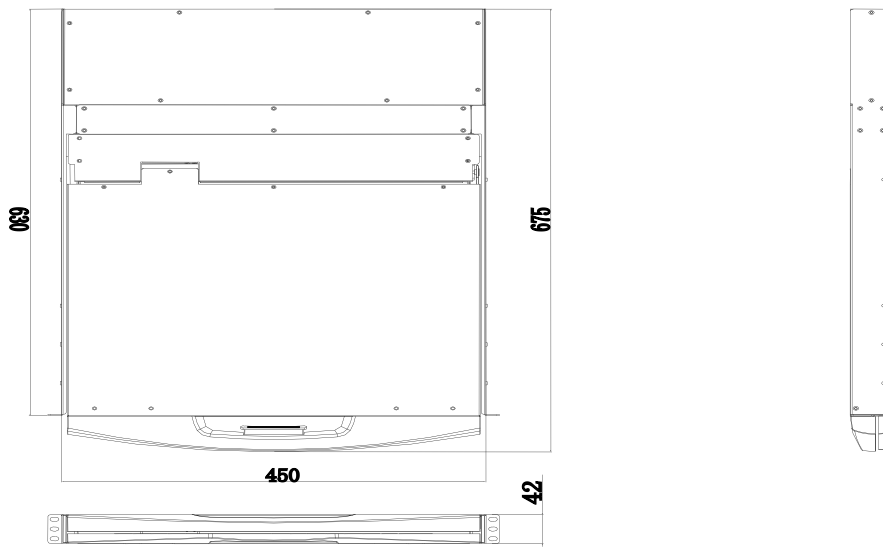
AC Power Wire

DIMENSION

17inch



19inch



CONNECTION OF KVM SIGNAL WIRE

1. Plug one end of the CAT5 UTP into the available computer port on the switch.
2. Plug the other end of the CAT5 UTP into the RJ45 port on the matching dongle. Connect the dongle to the computer.
3. Repeat step 1-2 for any other computers you are connecting up

SPECIFICATION

Model Number		AS7104TLD/9104TLD	AS7108TLD/9108TLD	AS7116TLD/9116TLD
Computer connections		4	8	16
CPU port selection		Front panel buttons/OSD menu		
Console connectors	Keyboard	Disassembled standard 99-key keyboard		
	Mouse	Disassembled standard PS/2 touch pad		
	Video	15/17/19 inch SXGA color TFT-LED		
Dongle connectors	Keyboard,Mouse	KT150 (1 x USB male)		
	Keyboard,Mouse	KT250 (2 x PS.2 male)		
	Video	1 x HDB-15 male (blue)		
	Network	RJ45 connector		
	Distance(dongle to PC)	100M(STP/UTP)		
LEDs	On Line	4 red LEDs	8 red LEDs	16 red LEDs
	Selected	4 green LEDs	8 green LEDs	16 green LEDs
Max resolution		1920*1080		
Power		DC5V, 400mW		
Power adaptor		External: DC 12V		
Operating temperature		-10°C~50°C		
Storage temperature		-20°C~60°C		
Housing		Metal		

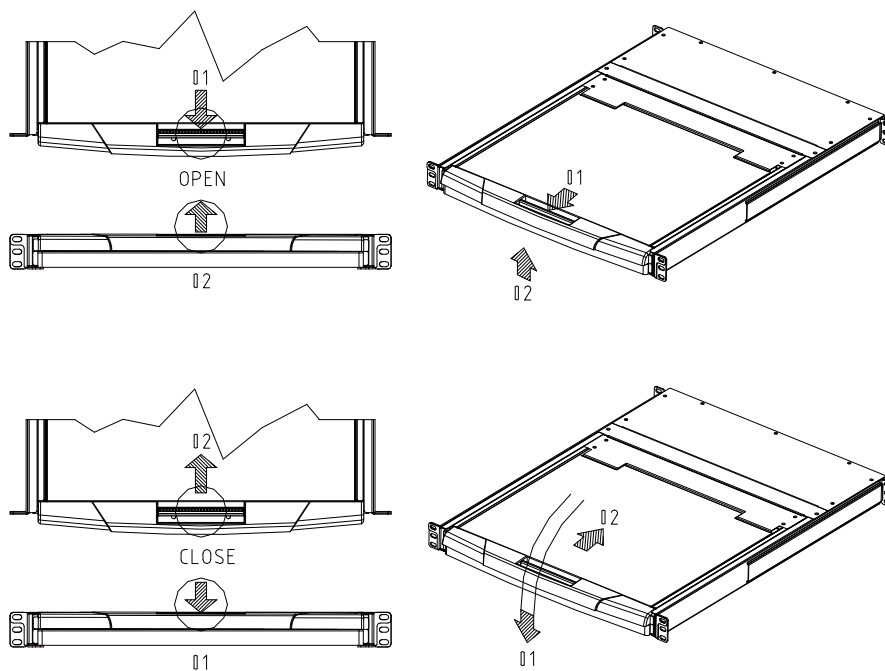
OPERATION

Before Use

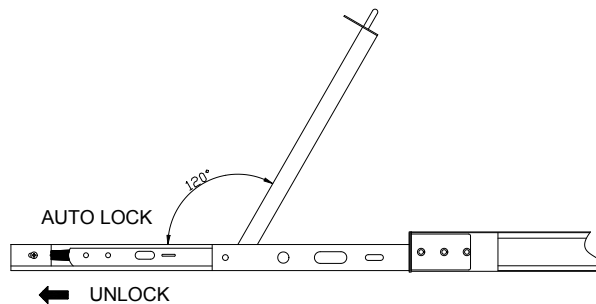
- Make sure all the devices safely grounded.
- Make sure the CAT5 UTP and power wire connected correctly.

During Use

- Pull the CAT5 KVM control platform out from cabinet totally, the guide locks automatically and the power turns on.
- Release front lock. As shown below:



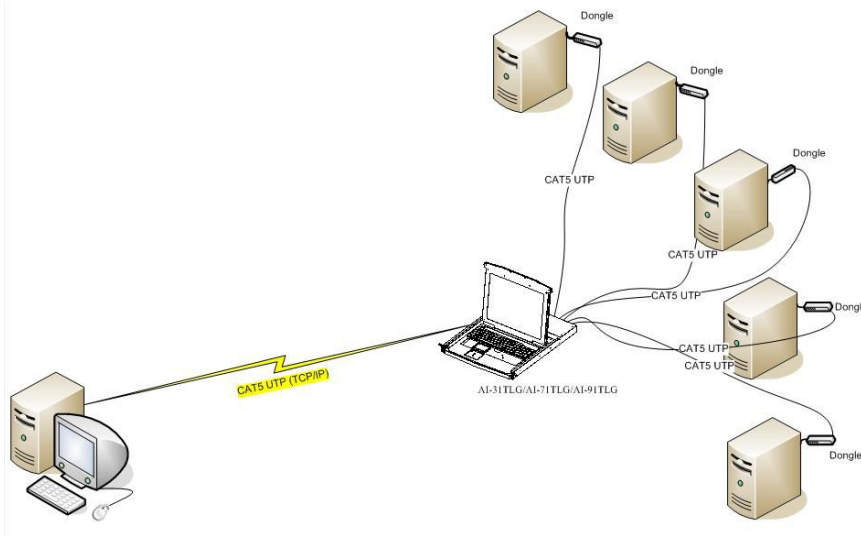
- Then open the front panel and the LCD can be turn on to 120 degrees. As shown below:



- Press LCD power key (red), the LCD is on.

- Connection

Connect the KVM switch with Dongle as illustrated. It can also be connected with remote computer via IP if necessary.



After Use

- Press LCD power key, the LCD is power off.
- Close LCD panel and lock the front panel.
- Release guide lock.
- Push the control panel into the cabinet totally, and then it is power off.

Hot Plug

The CAT5 KVM control platform supports hot plug. It can be connected and disconnected without power off. Please follow the steps:

- ◆ Hot plug PC connecting port:

When hot plugging PC port:

1. The connecting wire must be plugged into the port from which it is pulled out.
2. Plug the mouse before the keyboard.

Note: The CAT5 KVM control platform must be power on before PC.

Power On/Off and Reboot

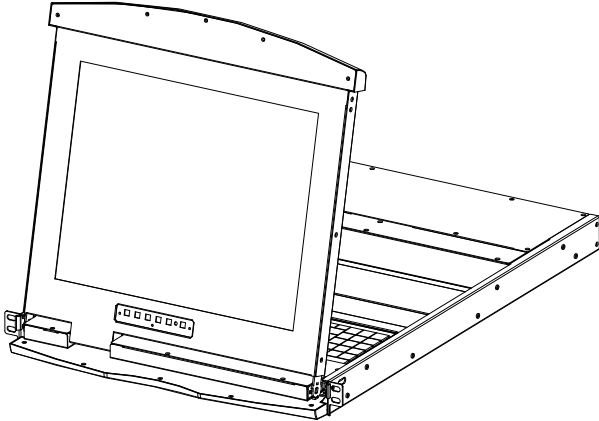
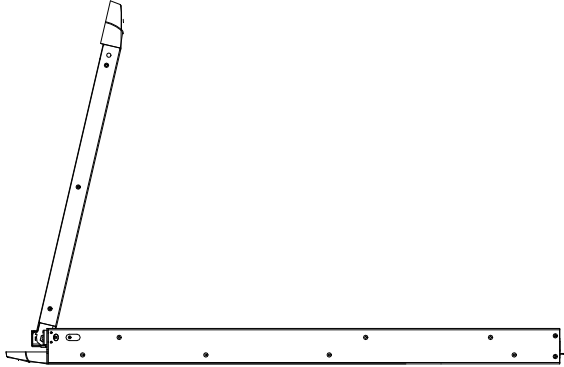
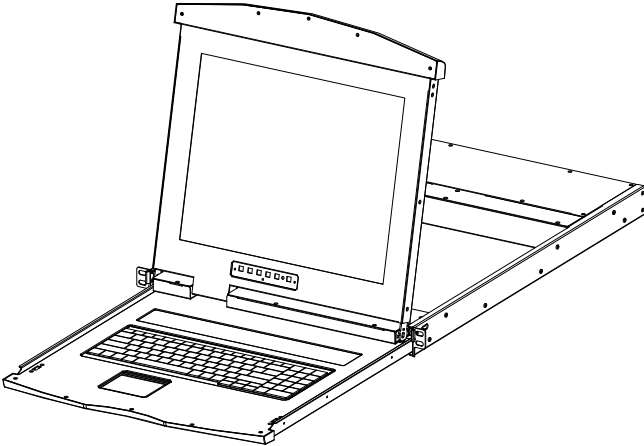
If user needs to cut off the power of CAT5 KVM control platform, please follow the steps before power on again.

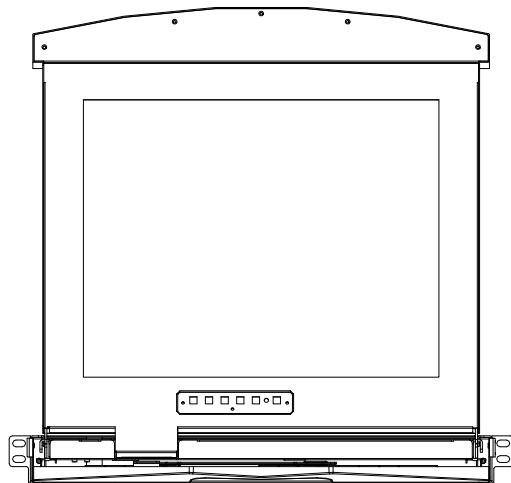
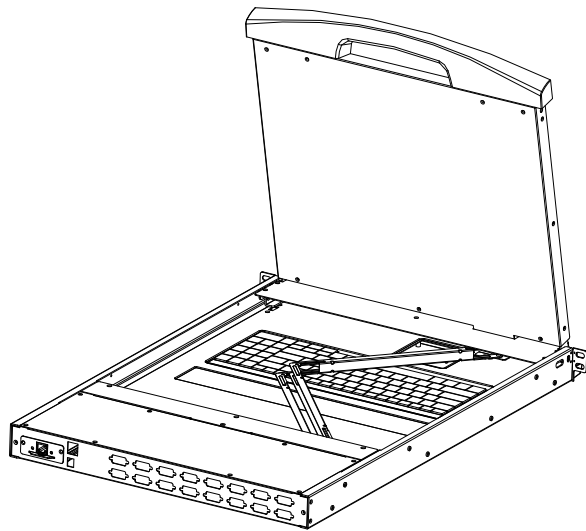
1. Cut off the power supply of all computers.

Note:

- 1) The power wire of computer with keyboard power on function must be pulled out. Otherwise, the CAT5 KVM still receives the power signal from computer.
- 2) If the control unit uses the external power, please pull out external power.
2. After about 10 seconds, power on the CAT5 KVM control platform.
3. After the CAT5 KVM switch starts, power on the computers.

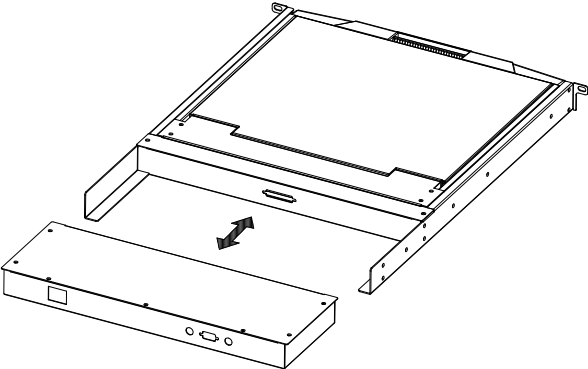
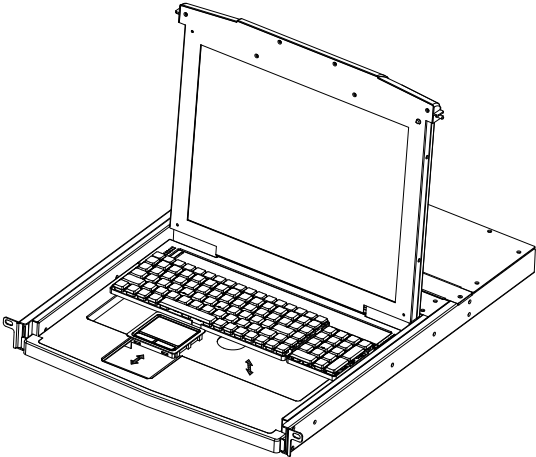
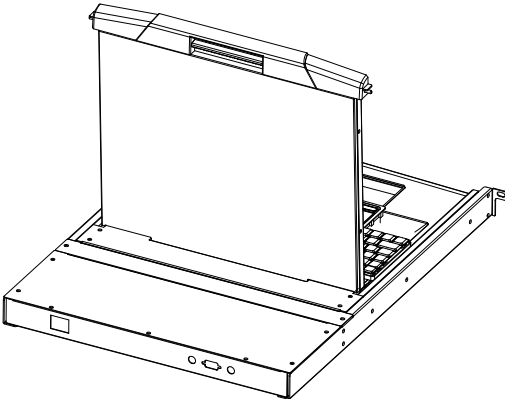
Structure&Usage

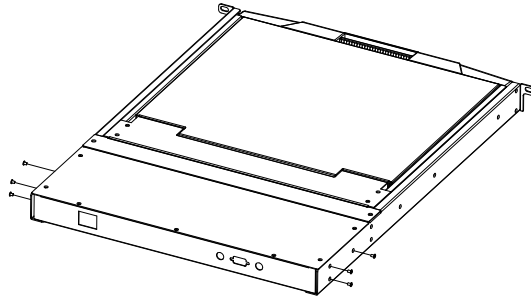




Assembling & Disassembling

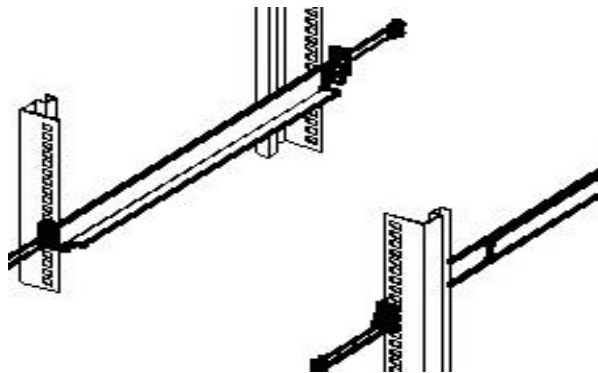
The device can be Assembled and disassembled as following.



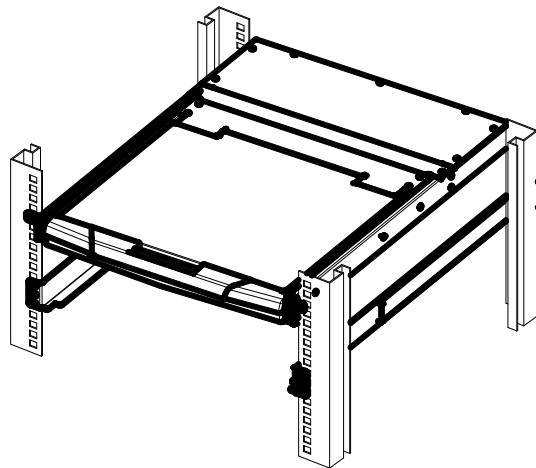


STANDARD RACK INSTALLATION

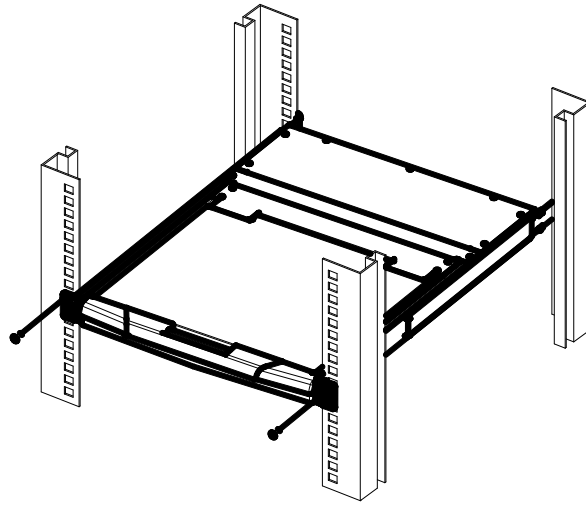
1. Screw the front flange to the rack first. Slide the bars with the rear flange towards the rack until the flanges make contact with the rack, then screw the rear flanges to the rack.



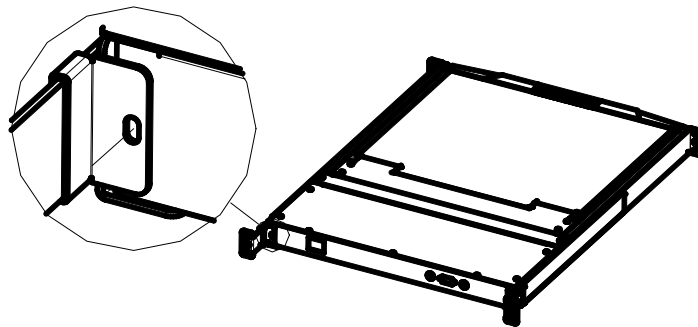
2. Slide the switch onto the support flanges. Use the screws supplied with this package to loosely attach the front of the switch to the front of the rack.



3. Slide the rear attachment sliding brackets along the slide bars until they contact the rear of the switch.



4. Use the screws supplied with this package to attach the bars to the rear of the switch.



INTERFACE SELECTION

There are two ways to select: Hot key and OSD menu.

HOTKEY

The hotkey let the user control the connected computers by keyboard. Please check CAT5 KVM SWITCH user manual.

