

**ednet.**

## **Virtual Reality Glasses Pro**



### **Quick Installation Guide** 87004

**The ednet Virtual Reality Glasses Pro** are designed for regular users. Thanks to soft memory foam as well as PU leather, they promise a high degree of comfort. They're suitable for smartphones with a screen diagonal of 3.5" to 6.0". The headband, which can be individually adjusted using Velcro strips at three points, promises a comfortable feel and is suitable for every type of head. The nano-coated synthetic resin lenses can be finely adjusted by means of control dials. Pupil distance and range of vision can thus be individually adjusted to your needs. The removable magnetic front cover is suitable when using the smartphone camera for augmented reality applications or even for heat dissipation during extended use. The smartphone is simply inserted into the magnetic front cover and there, thanks to the included upholstery, fixed gently in place. Immerse yourself in the breathtakingly realistic virtual reality and enjoy the VR games, movies, as well as videos in 3D—with **the ednet Virtual Reality Glasses Pro.**

## Technical Features:

- Suitable for smartphones with a screen diagonal of 3.5" to 6.0"
- Optimal adjustment of the range of vision as well as pupil distance by means of control dials
- Very comfortable to wear thanks to soft memory foam and PU leather
- Adjustable headband –fits every head type thanks to individual size adjustment by means of Velcro at three points
- Aspherical synthetic resin lenses with high transmission and nano-coating
- Aspherical synthetic resin lenses with high transmission and nano-coating
- Housing material: ABS
- Padding material: Memory Foam + PU leather
- Headband material: Nylon + PU
- Angle of vision: 90 degrees
- Dimensions: L 14.0 x B 20.0 x H 10.0 cm
- Weight: 380 g
- Color: black



***Using the device is strictly prohibited when the mobile phone is under charging, the consequences for improper use shall be borne by the user.***

Warm prompt: In order to improve the viewing comfort, we suggest that the angle of back and seat is 60°. In order to protect your vision, it is recommended that the viewing time should not be more than 30 minutes.

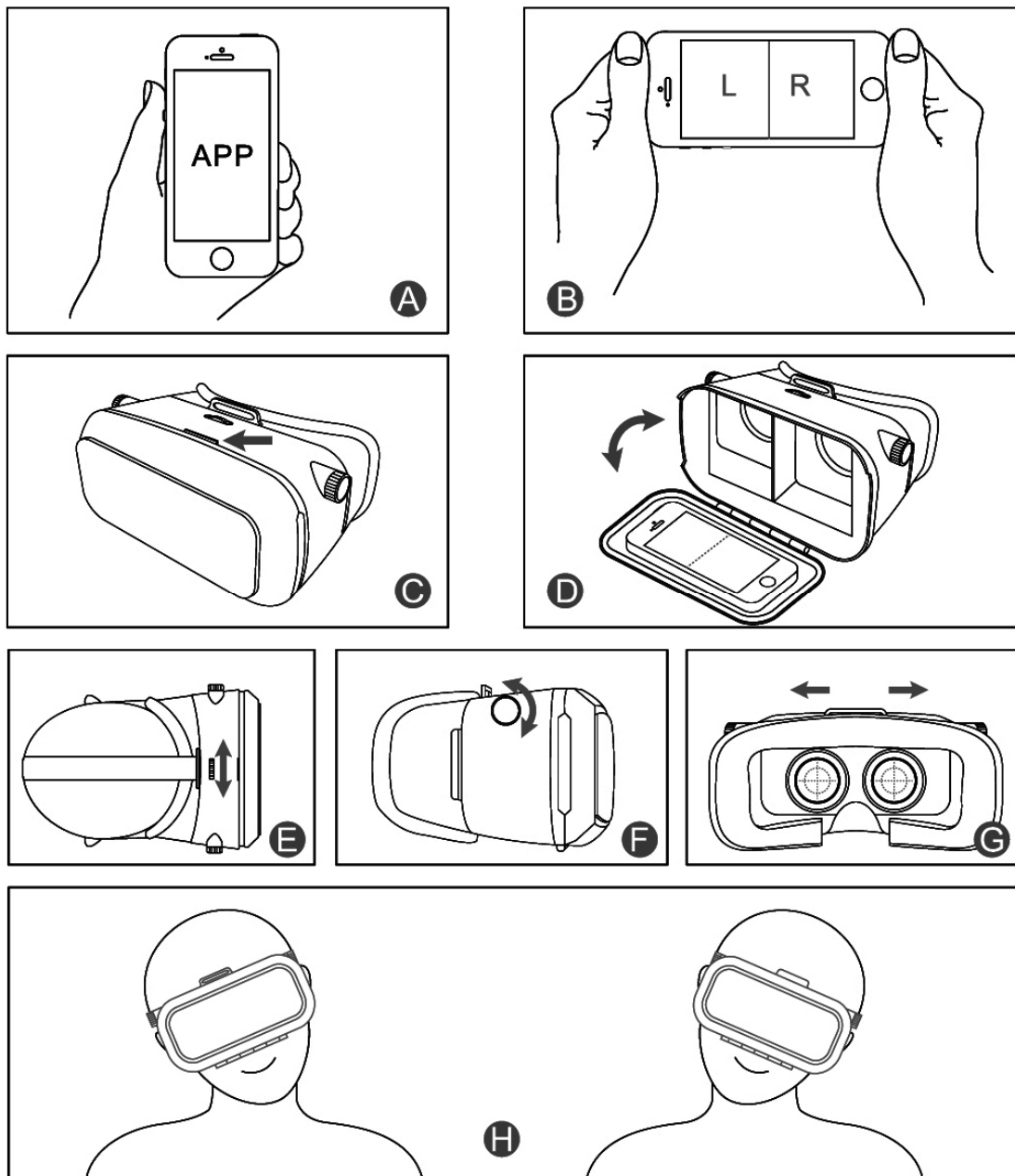
**Diagrams:**



## Download and play test video

Please use a mobile phone to get into App download interface(as shown in picture A, suggested in WiFi environment), Based on the game menu to select installation a video player or game software, test if it supports Left-and-Right split screen display (as shown in picture B) and full-screen display.

## How to use the device



Gently open the adsorption type switch at the top (as shown in picture C) hold the mobile screen facing inwardly, gently touch scale adjustment card slot, place your cell phone, and then close the cover plate (as shown in picture D). If you find the picture is upside down, please adjusting the direction of mobile phone

### **The lens adjustment function**

PD adjustment (as shown in picture E): Adjust the PD of lens

Object distance adjustment (as shown in picture F): Object distance adjustment can adapt myopia, without wearing myopia lens

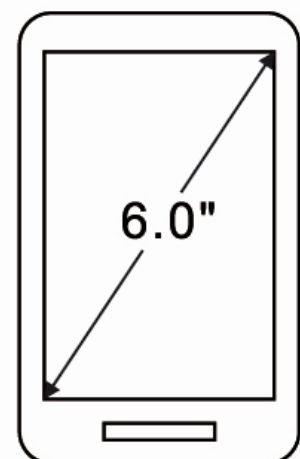
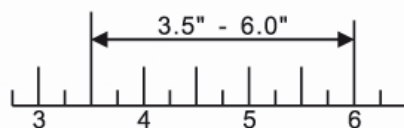
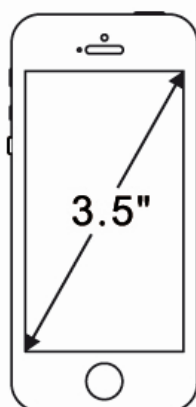
Focal adjustment (as shown in picture G): For the best clarity, you can adjust the lens focal length from left and right

### **The body sensuous control**

Viewing screen choice: Put the mobile phone into the device, you can choose the video screen by shaking your head from left and right in the video list (as shown in picture H). VR games: playing 3D games also can be controlled through the body sensuous (as shown in picture H)

### **Compatible with different sizes of smartphones**

Virtual Reality glasses are compatible with 3.5-6.0 inch Smartphones. (L Max: 154mm; W Max: 82mm)



## Be free to enjoy 3D movies anytime anywhere

Virtual Reality glasses which you can be free to have 3D movie or gaming fun anytime anywhere



Hereby ASSMANN Electronic GmbH, declares that this device is in compliance with the requirements of Directive 2011/65/EU for RoHS compliance. The complete declaration of conformity can be requested by post under the below mentioned manufacturer address.

**Warning:**

This device is a class B product. This equipment may cause some radio interference in living environment. In this case, the user can be requested to undertake appropriate measures to prevent interference.

**www.assmann.com**  
Assmann Electronic GmbH  
Auf dem Schüffel 3  
58513 Lüdenscheid  
Germany

