



4 x 2-Port HDMI MATRIX SWITCH



MANUAL (DS-48300)

Table of Contents

1.0 Introduction.....	2
2.0 Specification.....	3
3.0 Package Contents.....	3
4.0 Panel Description.....	4
5.0 Connection and Operation.....	4

DIGITUS[®] HDMI SWITCH SPLITTER

Dear customer

Thank you for purchasing this product. For optimum performance and safety, please read these instructions carefully before connecting, operating or adjusting this product. Please keep this manual for future reference.

1.0 INTRODUCTION

The HDMI Matrix Switch routes high definition video in multiple resolutions up to 1080p plus multichannel digital audio from any of the four HDMI sources to two displays. Two outputs give you the choices of sending high definition audio and video signals up to two displays. Any four to any two matrix switching allows for maximum versatility for integrated systems. It eliminates the needing of disconnects and reconnects sources to a display equipped with one input. It works with HD-DVD players, Blue Ray DVD, PS3, and satellite set top boxes that connect to two HDMI displays. Every source is accessible at all times by any display by selecting it with an IR remote or the touch buttons.

1.1 FEATURES

This HDMI Matrix Switch has many features that enable it to perform in a superior manner. Among those features you will find:

- Multi-switching methods: intelligent, IR remote or by touch buttons
- Switch easily between any four HDMI sources
- Distributes any of the four inputs to any or any combination of the two HDMI output displays
- Support HDMI High Speed (1.3b)
- Support highest video resolutions up to 1080p.
- Support 225MHz/2.25Gbps per channel (6.75Gbps all channel) bandwidth.
- Support 12bit per channel (36bit all channel) deep color.
- Support HDCP
- Support uncompressed audio such as LPCM.
- Support compressed audio such as DTS Digital, Dolby Digital (including DTS-HD and Dolby True HD) .

2.0 SPECIFICATION

Signal Inputs/Output	
Input Video Signal	5 Volts p-p (TTL)
Maximum Single Link Range	1920x1080P
Output Video	HDMI High Speed (1.3b)+HDCP 1.0/1.1
HDMI Input/Output Connector	Type A 19 pin
Operating Frequency	
Vertical Frequency Range	50/60Hz
Video Amplifier Bandwidth	2.25Gbps/225MHz
Resolutions(HDTV)	
Interlaced(50&60Hz)	480i,576i,1080i
Progressive(50&60Hz)	480p,576p,720p,1080p
Mechanical	
Size(H-W-D)	220x128x25mm
Weight(Net)	0.35KGs
Warranty	
Limited Warranty	2 Years - Parts and Labor
Environmental	
Operating Temperature	0°C to +70°C
Operating Humidity	10% to 85 % RH (no condensation)
Storage Temperature	-10°C to +80°C
Storage Humidity	5% to 90 % RH (no condensation)
Power Requirement	
External Power Supply	5V DC@2A
Power Consumption(max)	8 W
Regulatory Approvals	
Converter Unit	FCC,CE,UL
Power Supply	UL,CE,FCC
Accessories Adapter	
AC Power Adapter	US standard, UK standard and so on
User Manual	

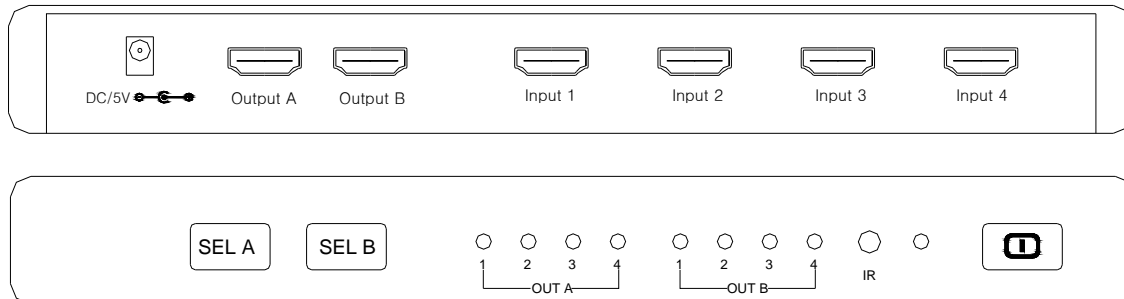
Note: Specifications are subject to change without notice.

3.0 Package Contents

Before attempting to use this unit, please check the packaging and make sure the following items are contained in the shipping carton:

- 1) Main unit.
- 2) 5V DC Power Supply.
- 3) Remote Control
- 4) User's Manual.

4.0 PANEL DESCRIPTION



5.0 CONNECTION AND OPERATION

- 1) Connect the HDMI input source into this product (Input cables are optional)
*please refer to connection diagram section.
- 2) Insert the DC side of 5v power supply into this product and then connect the AC side of the power supply into the wall outlet.

For this product, there are different operations for your choice

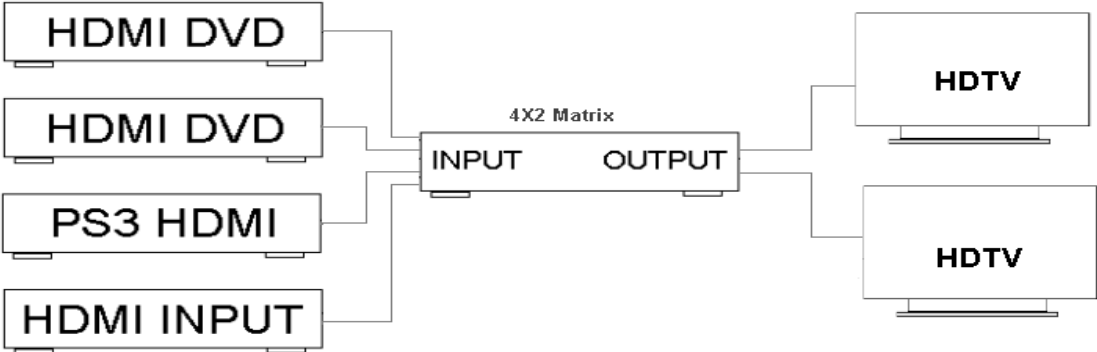
- 1) Press the button POWER on
Once the power button is pressed, the two outputs will select the two inputs sources on the sequence. (Source is in working situation),
- 2) Mechanical switching.
The button Switch A can select four sources to display on the Output A device circularly;
The button Switch B can select four sources to display on the Output B device circularly.
- 3) Remote control
The Power button on the remote control can control this product.
The two OFF buttons can control the output A、 B separately, in order to not keep output A/B 's device working
The button 1、 2、 3、 4 can select source devices freely.

LED indication function:

When any input source device works or any output sink devices works (which is connected to this product), the color of LED relative to the device will be red. When the users select one of the input resource output to the display devices, the color of LED for this input interface is blue.

Attention: Insert / Extract cable gently.

5.1 CONECTION DIAGRAM



■ For batteries: Please recycle only completely discharged batteries.