

# KVM SWITCH



DC OC-12

## USER MANUAL DC OC-12

V1.0

### Package Contents –

- 1 DC OC-12 KVM Switch
- 1 User Manual

Any thing missed, please contact with your vendor.

## Features

- Controls two PCs with one PS/2 keyboard, PS/2 mouse and monitor respectively.
- Supports the standard PS/2 mouse and Microsoft IntelliMouse.
- Supports the Window 95/98/98SE/Me/NT4.0/2000/XP, DOS, Linux, Novell, Free BSD.
- Easily install and operate without software at all.
- Keyboard and mouse emulation for skipping over the false boot-up.
- PC selection for Hot Key.
- Auto scan function to monitor PCs.
- Superior video quality - Up to 1920 x 1440, DDC2, DDC2B, DDC2AB, 200MHz.
- Auto skip over the power off PC.

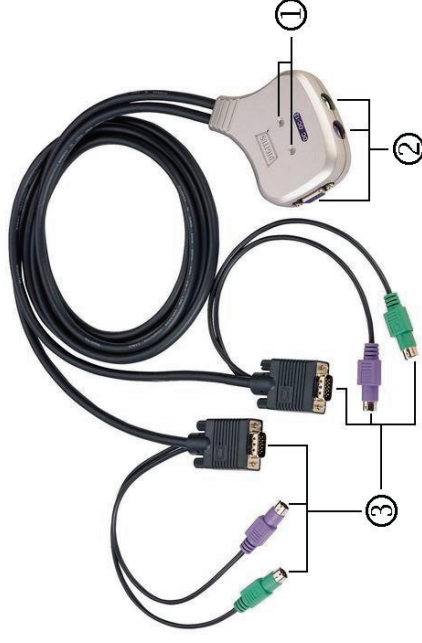
## Specifications

Function	DC OC-12
PC Connectors	2
Port Selection	Hot Key
LEDs	2
Emulation	PS/2
Keyboard	PS/2
Mouse	PS/2
Connector	1x6 pin mini-DIN Female (PS/2)
-Keyboard	2x6 pin mini-DIN Male (PS/2)
Connector	1x6 pin mini-DIN Female (PS/2)
-Mouse	2x6 pin mini-DIN Male (PS/2)
Connector	1x HD-15 Female
-Monitor	2x HD-15 Male
VGA Resolution	1920x1440 (Max.), DDC2, DDC2B, DDC2AB, 200MHz
Scan Interval	5 sec ~ 30 sec
Housing	Plastic
Cable Length	1.2 meter
Weight	395 g
Dimensions (LxWxH)	90x82x24 mm
Storage Temp	-20°C to 85°C
Operating Temp	0°C to 70°C
Humidity	0% to 95%

## Hardware Requirements

	Requirement specifications
Console	One highest resolution VGA, SVGA or Multisync monitor. One PS/2 mouse. One PS/2 keyboard.
PC	One VGA, SVGA or Multisync card. One 6-pin mini-DIN (PS/2) mouse port. One 6-pin mini-DIN (PS/2) keyboard port.

## Appearance Top View



1. Port LEDs
2. Console Port Connectors
3. CPU Port Connectors

## Installation

Before the installation, making sure the peripherals are grounded properly and turning off all PCs.

1. Connect the monitor, keyboard and mouse with the Console Port Connectors.
2. Plug the CPU Port Connectors into the PCs.
3. Turn on the PCs.

## Operation

1. LEDs Display

Activity	Meaning
Off	PC power off.
Green On	PC power on and connected.
Green On, Red Flashing	PC power on and connected and selected.

**Note:** If LEDs red light still going on flashing after turning off the PCs, clearing state by turning on any one of the PCs.

2. PC selection  
Hot Key Navigation allows you to select PC directly from keyboard.

Three features to Hot Key Navigation:

- Select the chose PC
- Command mode
- Auto scan mode

**-Select the chose PC:**

Press [Ctrl] key twice either on the left or the right side.

Hot Key	Action
[L Ctrl] + [L Ctrl] or [R Ctrl] + [R Ctrl]	Access between two PCs.

**-Command Mode:**

Press the [Num Lock] key twice, the [Num Lock], [Caps Lock] and [Scroll Lock] 3 keys will light up and flashing to access the Command Mode.

- a). Directly press the function key [F1] ~ [F2] for selecting the wanted PC.
- b). Press the [Left Ctrl] key to disable [Ctrl] hotkey function.
- c). Press the [Right Ctrl] key to enable [Ctrl] hotkey function.
- d). Press [Esc] key to quit the mode.

**Note:** [Ctrl] Hot Key function – Selecting PC port.

**-Auto Scan Mode:**

Press [Scroll Lock] key twice to activate the Auto Scan Mode.

Lights reveal the scan internal from 5 to 30 seconds in order serially auto scan.

Press [Esc] key to quit the mode.

**Note:** Light(s) corresponding timetable

Seconds	Num Lock	Caps Lock	Scroll Lock
5 seconds	Off	Off	On
10 seconds	On	Off	Off
15 seconds	On	Off	On
20 seconds	Off	On	Off
25 seconds	Off	On	On
30 seconds	On	On	Off

Use the right side number key [+] to increase time.

Use the right side number key [-] to decrease time.

3. The boot-up default of KVM Switch will link to your first activated PC.
4. Under function of “Auto skip over the power off PC” and yet LEDs green light turn off, it is incapable of turning on the PCs by keyboard.

# Troubleshooting

Making sure the cables are qualified and positioned.

Q1 : **The keyboard has no response.**

- A1a: Re-install the keyboard. Unplug the keyboard from the Console Port and plug it back again.
- A1b: Re-install the KVM Switch. Shut down the PCs, unplug the cables from the PCs, waiting for five seconds, plug the cables back and activate the PCs.

A1c: If under Auto Scan Mode please press [Esc] key to escape.

A1d: Try another keyboard.

Q2 : **The mouse has no response.**

- A2a: Re-install the mouse. Unplug the mouse from the Console Port and plug it back again.
- A2b: Re-install the KVM Switch. Shut down the PCs, unplug the cables from the PCs, waiting for five seconds, plug the cables back and activate the PCs.

A2c: Making sure the mouse is set on PS/2 mode.

A2d: Try another mouse.

**Note:** If you using a special mouse, suggesting to install the mouse driver from original manufacturer in order to manifest the functionality of KVM Switch.

Q3 : **The mouse is out of control.**

A3 : The mouse characteristic is inefficient. Try another superior mouse and plug it back again. Starting the operation when hearing the beep sound.

Q4 : **There has the video problem.**

A4 : The resolution or bandwidth is set too high. KVM Switch supports the VGA, SVGA, Multisync and XGA (interlaced) with the resolutions up to 1920 x 1440 Hz. The maximum bandwidth is 200 MHz

Q5 : **Why the LEDs reveal the green is on/ red is flashing under PCs are turned off?**

A5 : It's normal state. The causes come from PC internal setting. It shows the keyboard and/or the mouse possesses the power.

**Safety Information:**

This device may only be operated in enclosed, dry rooms. To prevent the risk of fire or electrical shock, the device must be protected from moisture. In the event of a defective power plug, please contact an authorized retailer. In the event of damage to the housing or the power plug, do not operate. Do not open the device. Repairs may only be performed by an authorized retailer.

**Note:**

In the event of incorrect installation and improper use in a residential area, the device may cause disruptions in radio devices and other electronic devices. Proper use means that the device is operated with shielded connector cables as far as possible, for network products also with shielded cables of category 5e and higher. The device was tested and lies within the limits for computer accessories of class A according to the requirements of EN 55022.

**Warning:**

This is a class A device. This device can cause radio interference in residential areas; in this case, the operator may be required to perform and bear the costs for appropriate measures.

**Conformity Declaration:**

The device fulfils the EMC requirements of EN 55022 class A for ITE and EN 55024. Devices with external or built-in power supply also fulfil the requirements of EN 61000-3-2 and EN 61000-3-3. The basic protection requirements of the “EMC Directive” 89/336/EEC are therefore fulfilled. The CE conformity has been certified. The corresponding declarations are available from the manufacturer.

**Trademarks:**

All company, brand and product names used in these instructions are trademarks or registered marks of the corresponding companies.