



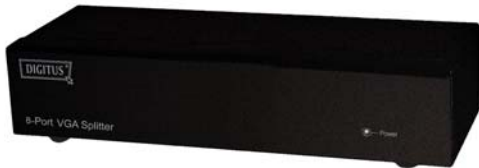
# VIDEO-SPLITTER



**(DC-41100)**  
1 In 2 Out



**(DC-42100)**  
1 In 4 Out



**(DC-43100)**  
1 In 8 Out

## USER MANUAL

DC-41100, DC-42100, DC-43100

### Package Contents-

- DC-41100, DC-42100 or DC-43100 Video Splitter
- 1 user manual
- 1 power adapter 12V 600mA for DC-41100, DC-42100 or DC-43100

## Introduction

Through the video splitter DC-41100, DC-42100, DC-43100, you can use one PC to display identical image on 2,4,8 monitors or even more.

Video splitter is ideal for:

- Test bench facilities
- Data Center
- Help desks
- Video broadcasting:
  - Presentation
  - Stock quotes
  - Timetables
  - Educational facilities

## Features

- With 300 MHz pixel frequency.
- Extends the video signal up to 65 meter (213 feet).
- Supports the DDC, DDC2, DDC2B. (For video out port 1)
- Can be cascaded.
- The output is compatible with standard VGA card.

## Specifications

Function	DC-41100	DC-42100	DC-43100
Video Input Connector (HD-15 Male)	1	1	1
Video Output Connector (HD-15 Female)	2	4	8
Max. Resolution	1920 x 1440 60 Hz		
Pixel Frequency	300 MHz		
Cable Distance (Device to Monitor)	65 m (213 feet) Max.		
Signal Type	VGA, SVGA, XGA, Multisync		
Power Adapter (Min.)	DC 12V 600mA		
Housing	Metal		
Weight	420 g	455 g	680 g
Dimensions (LxWxH) mm	130x75x42		200x75x42

## Technical Specifications

### Input/Output Signal

Pin #	Signal
1	Red video
2	Green video
3	Blue video
4	ID2
5	Ground
6	Analog Ground
7	Analog Ground
8	Analog Ground

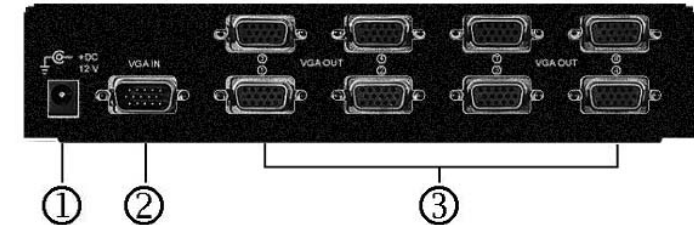
Pin #	Signal
9	NC
10	Ground
11	ID0
12	ID1
13	Horizontal Sync
14	Vertical Sync
15	ID3

### FRONT VIEW



1. Power LED

### REAR VIEW



1. Input Power Jack  
2. "Video In" Port  
3. "Video Out" Port

\*There are 2/4/8 out ports for DC-41100, DC-42100, DC-43100.

# Installation

1. Turn off the PC and monitors.
2. Connect the HD-15 video extension cable between the PC and the “video in” port of splitter.
3. Connect the HD-15 video extension cables between the monitors and the “video out” ports of splitter.
4. Connect the power cord and turn on the splitter.
5. Turn on the PC and monitors.

## Note:

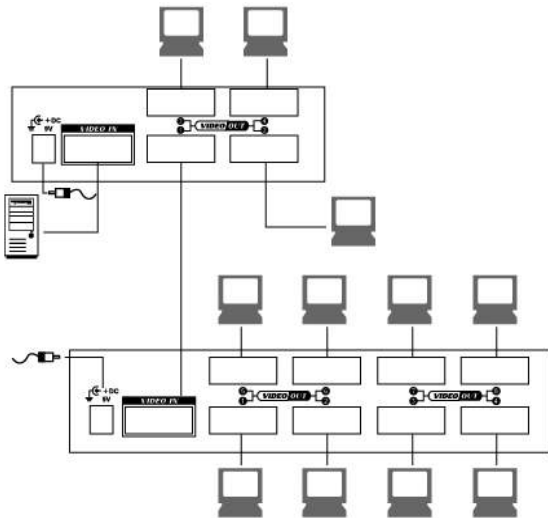
- If you install the DDC monitor for the splitter, the rest of monitors must be the same resolution as the DDC monitor.
- Available monitors include the VGA, SVGA, XGA, Multisync, and exclude the CGA, EGA, Mono.

# Operation for cascade:

1. The function to display identical image on more monitors, you request to attach another splitter.
2. Connect the HD-15 male/male video extension cable between the “video out” port of the former splitter and the “video in” port of the latter splitter.

## Note:

Even though you are allowed to cascade the splitter with varied ports, the image might become unstable if cascade too many tiers of splitters.



P.S.: The example cascades the 4 and 8 ports splitters; however, you can cascade the video splitter with demanded port.

## Trademarks:

All the companies, brand names, and product names referred to this manual are the trademarks or registered trademarks belonging to their respective companies.