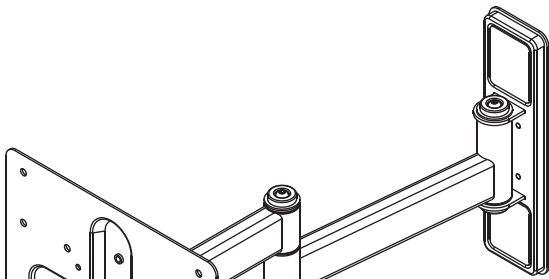


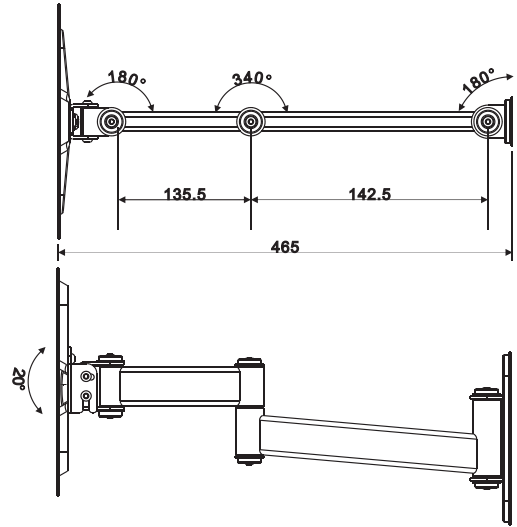
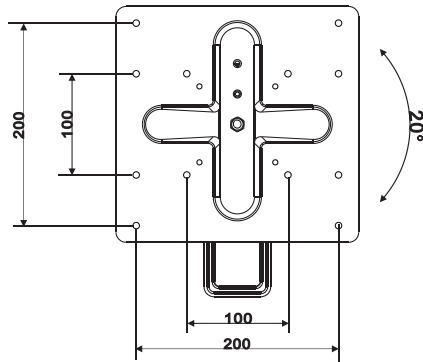


# FLAT PANEL TV WALL MOUNT

## Specification



1. Supports up to 32" TV's (Max and weight 32kgs/70lbs)
2. Designed for all VESA compliant TV's: 75X75, 100X100, 200X100, 200X200 mm
3. Features horizontal level adjustment: 20 degrees
4. Tilting adjustment: -5~15 degrees
5. Horizontal moving dist: ±465mm



Unit:mm

## Parts List

### MAIN PARTS

ITEM	1	2	3	4	5
PARTS					
QTY	1	1	4	4	2

### PARTS FOR TV BRACKETS

ITEM	6	7	8	9	10	11	12	13	4
PARTS									
QTY	4	4	4	4	4	4	1	3	3

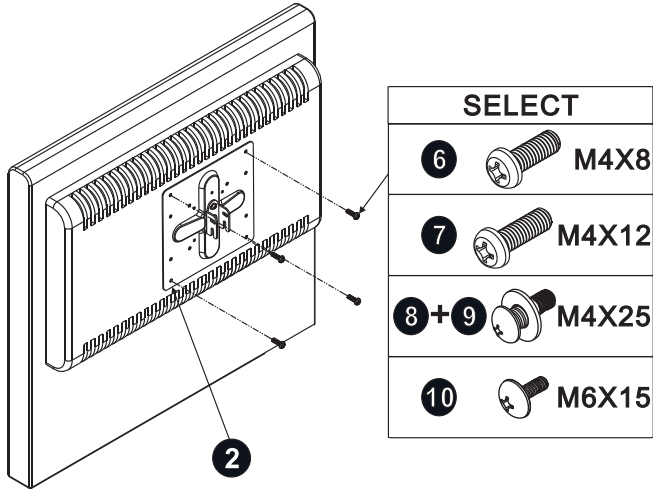
### PARTS FOR WALL BRACKETS

ITEM	14	15
PARTS		
QTY	4	4

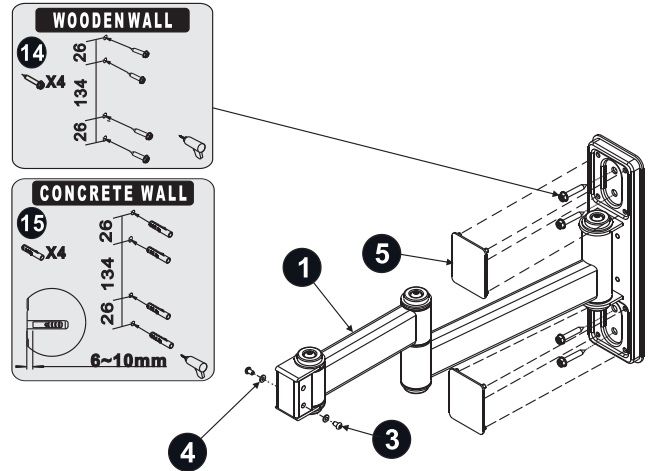
- CAUTION:** This wall mount is intended for use only with the maximum weight use with heavier than the maximum weights indicated may result in instability causing possible injury.
- Beware of the specification as first page.
- Please choose the thickness of solid column over 100mm/4".
- Please evaluate the wall material whether is stable for installation.
- Recommend the other persons to hold the monitor.
- Unplug all the cables off the TV.

## Installation

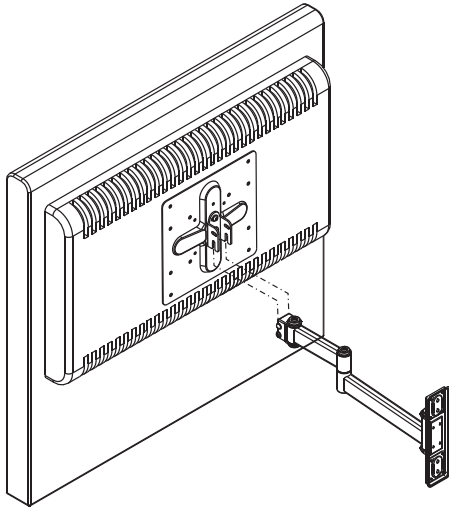
I.



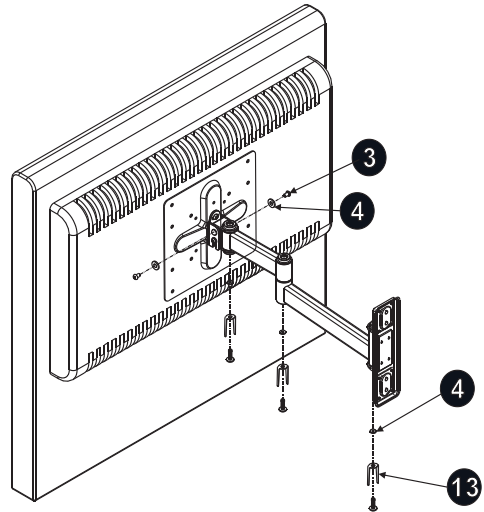
II.



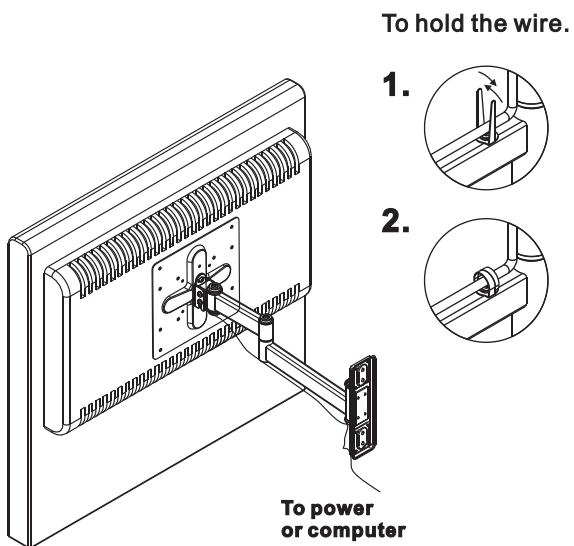
III.



IV.



V.



VI.

