



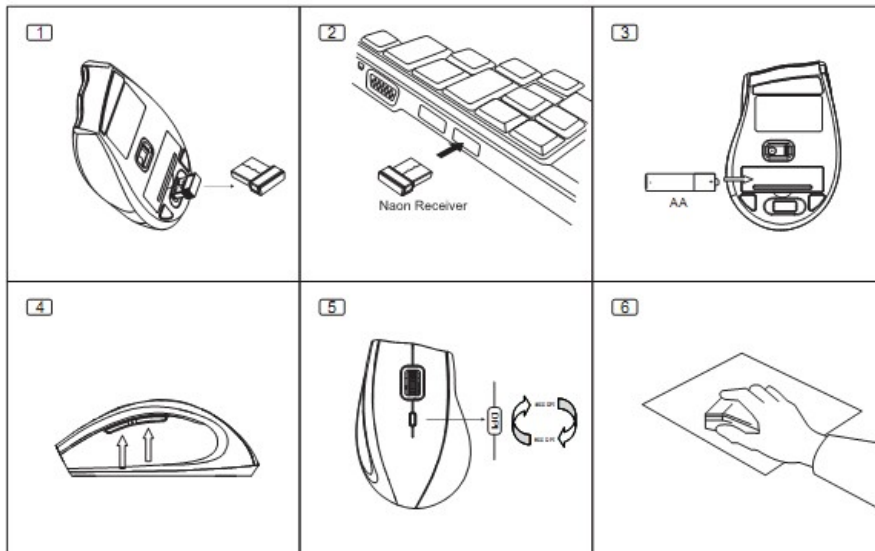
2.4Ghz Wireless Optical Mouse (DA-20128)

Specification:

- Maximum Wireless working distance is 10 meters
- 2.4GHz mouse: Radio Frequency/32channels hopping with 2 group form 2.405~2.476GHz
- Resolution: 800/1600DPI Switchable
- Receiver: Nano Receiver
- Wheel: 1 Mechanical Scrolling Wheel
- Power Comsuming: DC=1.5V, 25mA
- Battery: AA, Alkaline Manganese Dioxide Battery/
- With low-voltage alarm and four power-saving mode, Automatic power-off mode.

Installation

1. Take out nano receiver
2. Connect nano receiver to PC, until the automatic installation is completed.
3. Open the battery cover on bottom and insert battery.
4. 4 th and 5 th button is forward and backward respectively.
5. Click the DPI switch to setting between 800 DPI to 1600 DPI.
6. Finish above steps, click left or right button, then you can start **to use it**.



Caution: Below factors may cause the wireless performance

- Please do not use any metal object to be close the Nano receiver.
- If some other wireless devices closing Nano receiver, please remove it and reconnect nano receiver to get different communication ID.
- When the battery is out of energy, please change a new battery.
- Please do not use mouse on very shiny surface or transparent surface.
- Please do not put Nano receiver next to Bluetooth dongle
- Never recharge the Non-Rechargeable Batteries and never throw them into fire.
- Please observe local regulations for disposing of batteries.