



5.1 Sistem Multimedia Home Theater Surround

MODEL: DA-10260



Multimedia Woofer, Home Theatre System DA-10260

INTRODUCTION

Thank you for using DIGITUS Home Theatre System S51319. This system could produce potential 5.1 channel surround sound from your DVD/VCD, CD, MP3, PC, TV and other compatible audio devices.

SPECIFICATION

Model Code: DA-10260

Normal Output Power: 27W

Speaker Driver Unit:

- Main Unit: 3"4 Ω 10W;
- Centre: 3"8 Ω 5W;
- Front: 3"4 Ω 3W x 2;
- Rear: 2.25"4 Ω 3W x 2

Frequency Response Range:

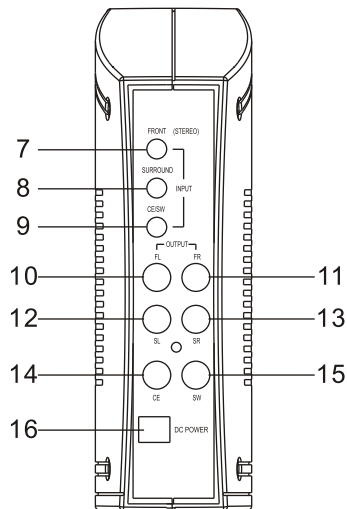
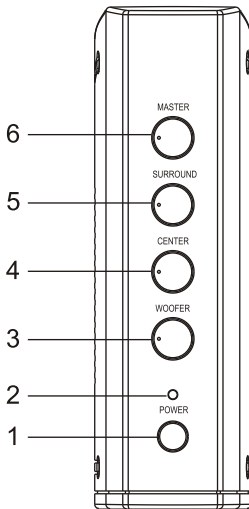
- Satellite: 100Hz-20KHz
- Sub Woofer: 30Hz-180Hz

Size:

- Woofer 150 x 170 x 171mm
- Front 90 x 105 x 84mm
- Rear 80 x 95 x 68mm
- Centre 90 x 105 x 84mm

Power Supply Input:

- AC 230V/50Hz



Control Box	Function
1. Power Button	Set the system ON or OFF
2. Power Indicator	The LED indicator turns green when the power button is ON.
3. Woofer Volume Knob	This knob controls the volume of woofer. Turn the knob clockwise to increase the volume and anti-clockwise to decrease the volume.
4. Centre Volume Knob	This knob controls the volume of centre speaker. Turn the knob clockwise to increase the volume and anti-clockwise to decrease the volume.
5. Surround Volume Knob	This knob controls the volume of surround speaker. Turn the knob clockwise to increase the volume and anti-clockwise to decrease the volume.
6. Master Volume Knob	This knob controls the volume of woofer. Turn the knob clockwise to increase the volume and anti-clockwise to decrease the volume.
7. Audio Input for Front (Stereo)	The system gives 5.1 outputs when a device is connected with this jack.
8. Audio Input for Surround	The system gives 2.0 outputs when a device is connected with this jack.
9. Audio Input for CE/SW (Centre/Sub-woofer)	The system gives 2.1 outputs when a device is connected with this jack.
10. Audio Output for FL (Front Left)	Connection jack between the FL Speaker and the control box.
11. Audio Output for FR (Front Right)	Connection jack between the FR Speaker and the control box.
12. Audio Output for SL (Surround Left)	Connection jack between the SL Speaker and the control box.
13. Audio Output for SR (Surround Right)	Connection jack between the SR Speaker and the control box.
14. Audio Output for CE (Centre)	Connection jack between the CE Speaker and the control box.
15. Audio Output for SW (Sub-woofer)	Connection jack between the SW Speaker and the control box.
16. DC Power	Connection jack between the sub-woofer and the control box.

OPERATION AND CONNECTION

1. You must make sure that the system and the devices are Power off before establish any connection.
2. Connect all the speakers and sub-woofer to the back of the control box. See the Control Box Function Section above for more information on connection.
3. Connect your device to the input section of control box. In order to get your desired output, you can connect your device to the three different input options of control box. See Control Box Function Section above for more information on each input option.
4. Connect the main power from the sub-woofer to the socket.
5. Press the Power button to turn on the system.
6. Use the knobs on the control box to adjust the volume of speakers.

SAFETY INSTRUCTIONS

IMPORTANT

Please unplug the system if any of the following conditions exist:

- The power cord or plug becomes frayed or otherwise damaged.
- Your system has been dropped or the enclosures have been otherwise damaged.
- Liquid has been spilt into a speaker enclosure.
- You suspect that your system needs repairing.
- Your system is exposed to rain or any other excessive moisture.

TROUBLE SHOOTING

If you experience problems during the installation of your system please first check the following conditions:

- Make sure all the connections between the system and devices are fully seated.
- Make sure that the power supply is switched on.
- Check the LED light at the front of the control box. If it is not illuminated, check the power connection.

-
- If connected to a non-standard game console or audio device, please consult the manual of those devices for connection.

PRECAUTIONS

- Your system should be situated away from heat sources such as radiators and heaters.
- Do not place your system on an unstable table, stand, tripod or bracket.
- Keep your system dry and avoid contact with damp or wet areas.
- Read the instructions manual carefully before the installation of your system.
- Keep this instructions manual for future reference.
- Follow all the instructions in this manual to operate your system.

ATTACHMENTS

Do not use attachments or accessories not attach with our original package as they may cause hazards. We do not take any responsibility of failure cause by this problem.

CLEANING

Unplug this product from the power source before cleaning. Do not use liquid or aerosol cleaners. Use a soft cloth for cleaning.

WARNING

- Electrical equipment may be hazardous if misused.
- An adult must always supervise the operation of this product, or similar products.

CONNECTION WITH DEVICES

1) DVD/VCD Player

- Step 1: Connect the DVD/VCD Player to all the Audio Input Jack of control box using the 1to2 RCA (3 x 1to2RCA cable is provided with the system).
- Step 2: Connect all the satellite speakers and the sub-woofer to the Audio Output Section of control box.
- Step 3: Connect the built-in power supply cable of sub-woofer to the control box.

*Please refer to Figure 1 for cable connection

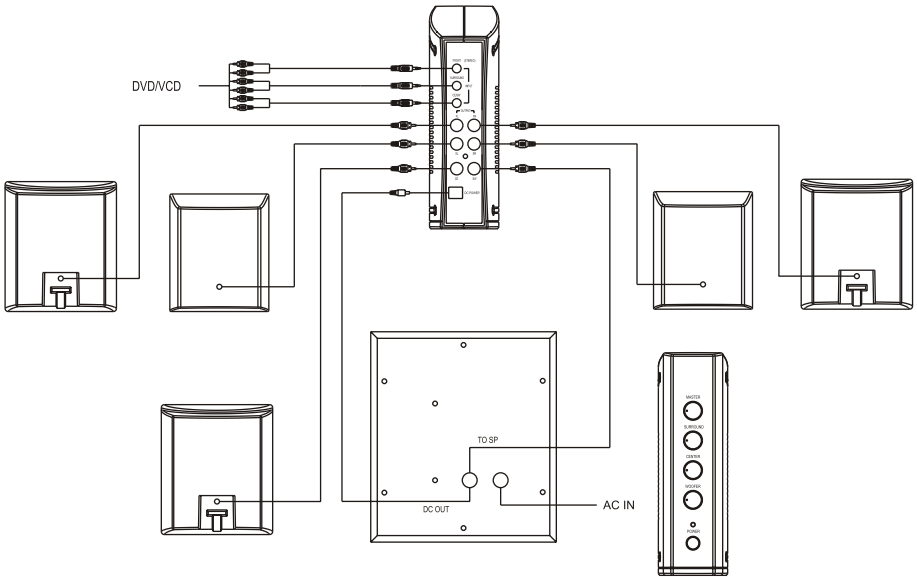


Figura 1

2) PC/CD/MP3

- Step 1: Connect the PC, MP3 or CD to the Audio Input For Front (Stereo) of control box using the 1to1 RCA cable, which is provided with the system.
- Step 2: Connect all the satellite speakers and the sub-woofer to the Audio Output Section of control box.
- Step 3: Connect the built-in power supply cable of sub-woofer to the control box.

*Please refer to Figure 2 for cable connection

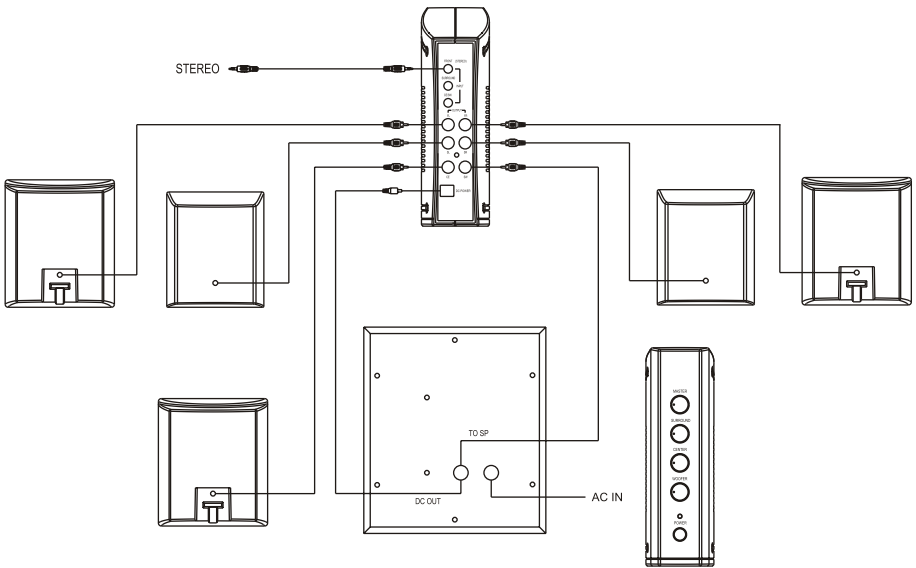


Figura 2

3) TV

- Step 1: Connect the TV to the Audio Input For Front (Stereo) of control box using the 1to2 RCA cable, which is provided with the system.
- Step 2: Connect all the satellite speakers and the sub-woofer to the Audio Output Section of control box.
- Step 3: Connect the built-in power supply cable of sub-woofer to the control box.

*Please refer to Figure 3 for cable connection

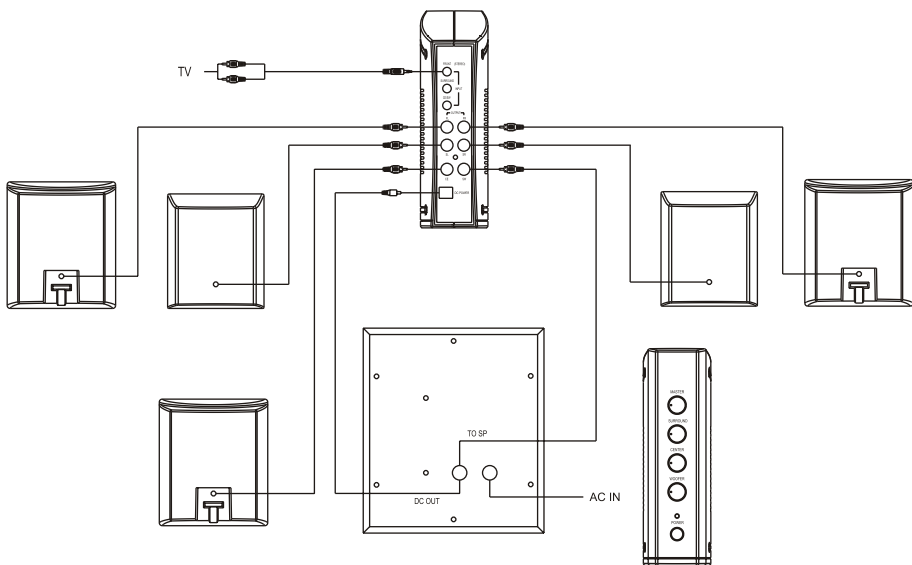


Figura 3





5.1 Sistem Multimedia Home Theater Surround

MODEL: DA-10260