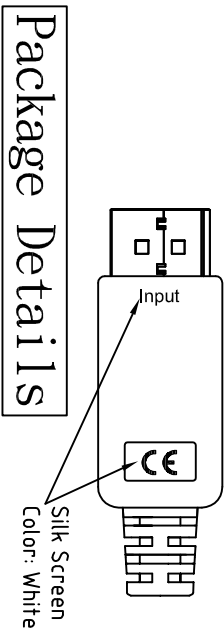
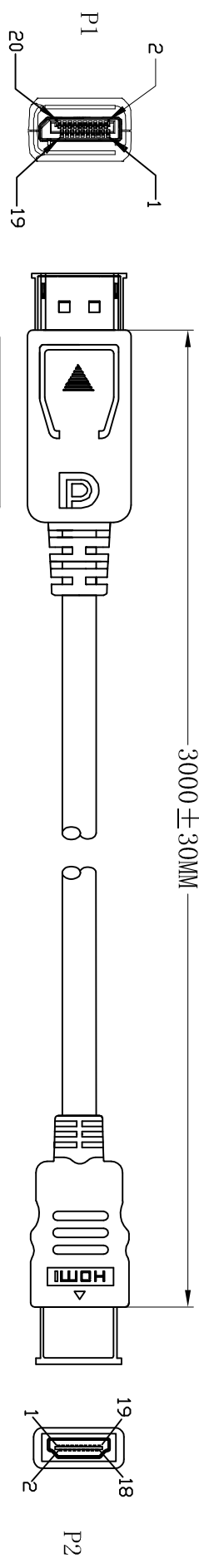


Signature	Revision History	Date	Rev.
LIBRA	For Bulk Production	May.31.2011	01

A DISPLAYPORT MALE **HDMI A TYPE MALE**

Rohs Compliant

3000 ± 30MM

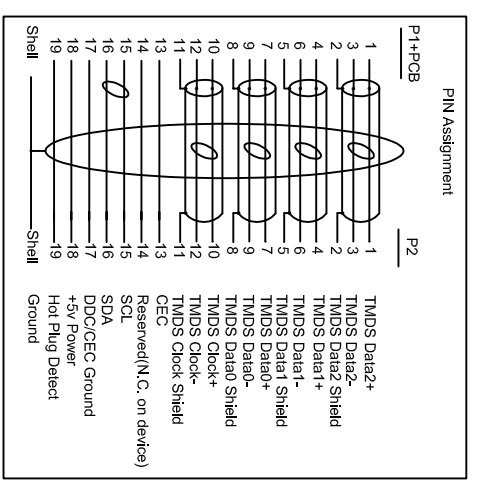
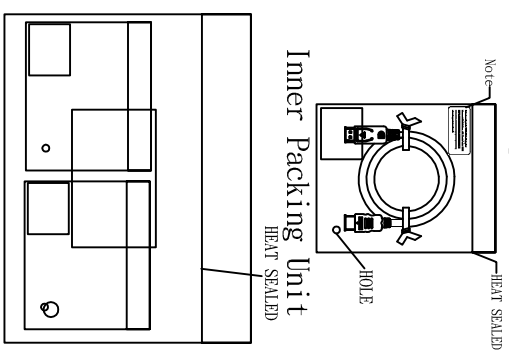


D Single Cable

P/N	Cable Length	Rolling Size (Single Cable)	Polybag Type (Single Cable)	Bag Size (Single Cable)	Article Weight (Single Cable)
AK-340300-030-S	3m	140 mm max.	Ordinary Polybag (Heat Sealed)	240*160*0.05mm	0.130 kg

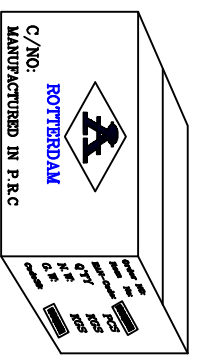
E Inner Packing Unit

P/N	Cable Length	Quantity (Inner Packing Unit)	Type (Inner Packing Unit)	Size (Inner Packing Unit)	Weight (Inner Packing Unit)
AK-340300-030-S	3m	10 pcs	Polybag (Heat Sealed)	500*500*0.05mm	1.300 kg



G CARTON DETAILS

P/N	Cable Length	Quantity (Carton)	Measurement (Carton)	N.W. (Carton)	G.W. (Carton)
AK-340300-030-S	3m	50 pcs	50*32*21cm	6.5kg	7.4kg



Drawn by	Date	Name
Jun.02.2011	Libro	
Checked by		
Approved by		

Part No. **AK-340300-030-S**
 EAN:4016032289012

H **ASSMANN** Electronic GmbH
 Title: DisplayPort M - HDMI A/M CABLE
 Scale: N/A
 Unit: MM
 Sheet: 1/1

1 **2** **3** **4** **5** **6** **7** **H**

* "ROTTERDAM" is for Sea Freight shipment
 * "COLOGNE" is for Air Freight shipment
 * "LUDENSCHIED" is for Fedex or UPS shipment

STxxxxx