

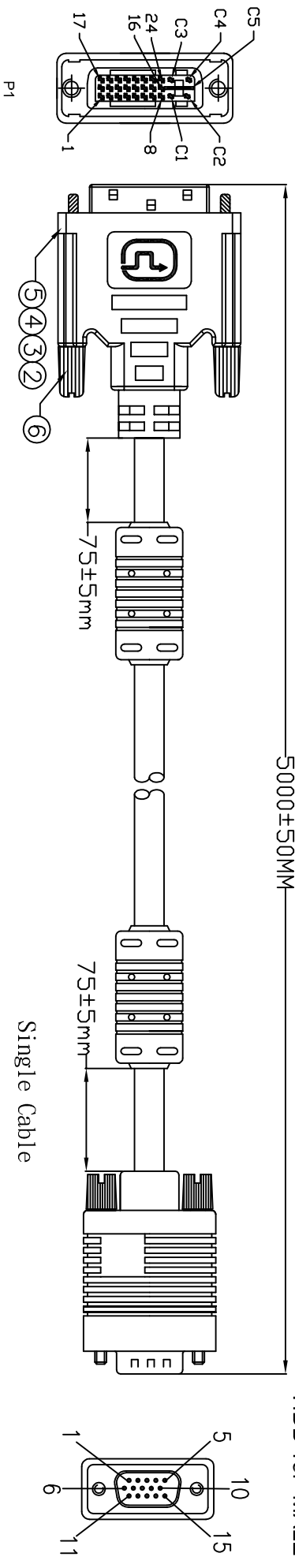
Signature	Revision History	Date	Rev.
LIBRA	For Bulk Production	June 30, 2011	01

RoHS Compliant

A DVI (24+5)P MALE

HDB 15P MALE

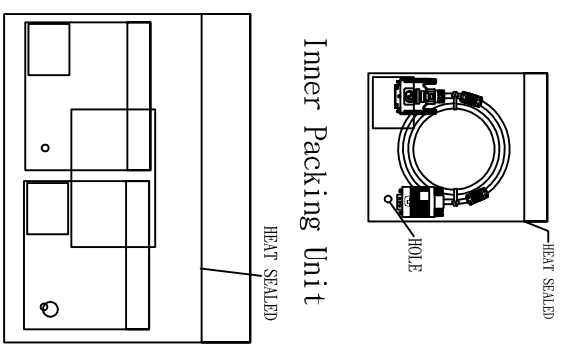
5000±50MM



Package Details

D	Single Cable				
P/N	Cable Length	Rolling Size (Single Cable)	Polybag Type (Single Cable)	Bag Size (Single Cable)	Article Weight (Single Cable)
AK-320300-050-S	5m	180mm max.	Ordinary Polybag (Heat Sealed)	280*230*0.05mm	0.498kg

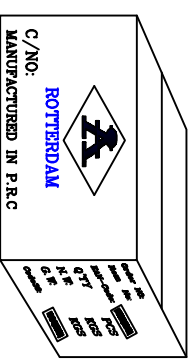
E	Inner Packing Unit				
P/N	Cable Length	Quantity (Inner Packing Unit)	Type (Inner Packing Unit)	Size (Inner Packing Unit)	Weight (Inner Packing Unit)
AK-320300-050-S	5m	5 pcs	Polybag (Heat Sealed)	480*480*0.05mm	2.550kg



PIN ASSIGNMENT	
P1	P2
C1	1
C2	2
C3	3
15	5
C5	10
14	6
16	7
6	15
7	12
8	14
C4	13
	9
	8
	7
	6
	5
	4
	3
	2
	1

CARTON DETAILS

P/N	Cable Length	Quantity (Carton)	Measurement (Carton)	N.W. (Carton)	G.W. (Carton)
AK-320300-050-S	5m	25pcs	46.5*31*27cm	12.4kg	13.4kg



Drawn by	June 30, 2011	Date	Nome
Checked by		Libro	
Approved by			

* "ROTTERDAM" is for Sea Freight shipment
 ** "COLOGNE" is for Air Freight shipment
 * "LUDENSCHIED" is for Fedex or UPS shipment

ASSMANN
 Electronic GmbH

Part No. **AK-320300-050-S**
 EAN: 4016032298540

Title: DVI (24+5)P/M - HDB 15P/M CABLE

Scale	N/A	Sheet	1/1
Unit	MM		

1	2	3	4	5	6	7	A
1	2	3	4	5	6	7	H